



HSE

Engineering Services



IPS Engineering

BASIC INFORMATION

Topic

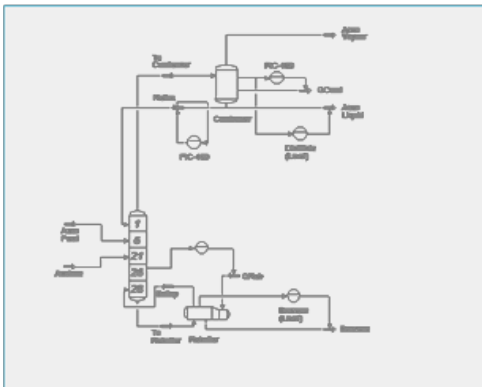
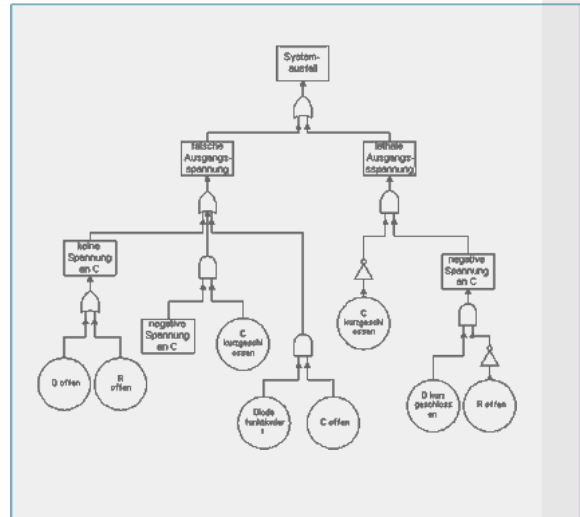


We apply our HSE engineering capabilities over a wide range of industries - chemical, petroleum, pulping, power generation, waste treatment, alternative fuels, and more.

Available Services

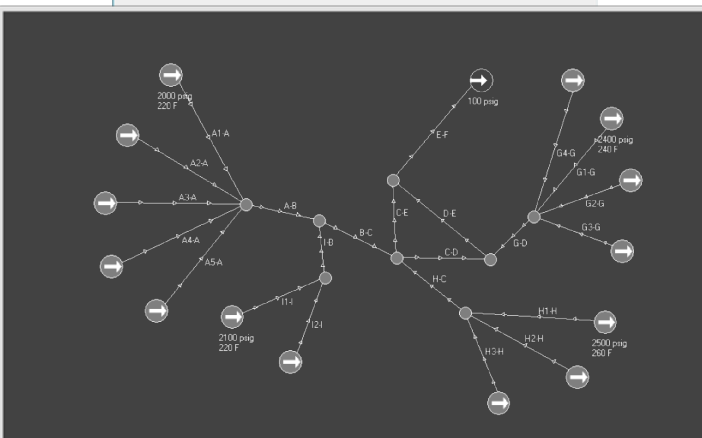
Techniques of Process Hazard Analysis (PHAs) and Risk Assessment:

- Failure Modes and Effects Analysis (FMEA)
- Hazard Operability Analysis (HAZOP)
- Event Tree Analysis (ETA)
- Fault Tree Analysis (FTA)
- Monte Carlo simulation
- Safety Integrity Level (SIL) selection Analysis
- Cause & Effect Diagrams
- Dispersion Analysis
- Fire, Explosion (offshore)
- Incident investigation
- RBI and FFS Implementation



Engineering Services for Risk Reduction:

- Prevention
 - Leak prevention
 - Ventilation
 - Ignition control
- Detection
 - Gas detection
 - Fire detection
- Control
 - Emergency shutdown
 - Blowdown & flare systems
 - Explosion control
- Mitigation
 - Active fire protection
 - Passive fire protection
 - Blast protection
 - Temporary Refuge
 - Evacuation and escape
 - Fire-fighting equipment
 - Manning



Our goal is the complete satisfaction of the client and the capacity of solving the problems related to industrial process plant.

Contact

ZERTIFIKAT ♦ CERTIFICATE ♦ 認證證書 ♦ СЕРТИФИКАТ ♦ CERTIFICADO ♦ CERTIFICAT



CERTIFICATO

Nr 50 100 12070

Si attesta che / This is to certify that

IL SISTEMA QUALITÀ DI
THE QUALITY SYSTEM OF



IPS ENGINEERING S.r.l.

SEDE LEGALE: / REGISTERED OFFICE:
VIA PIRANESI GIOVANNI BATTISTA 26 I-20137 MILANO (MI)

SEDE OPERATIVA: / OPERATIONAL SITE:
VIA CEFALONIA 55 I-25124 BRESCIA (BS)

È CONDIZIONE AI REQUISITI DELLA NORMA
HAS BEEN FOUND TO COMPLY WITH THE REQUIREMENTS OF

UNI EN ISO 9001:2008

QUESTO CERTIFICATO È VALIDO PER IL SEGUENTE CAMPO DI APPLICAZIONE
THIS CERTIFICATE IS VALID FOR THE FOLLOWING SCOPE

Progettazione e sviluppo di impianti industriali e processi connessi
all'attività industriale (IAF 34)

Design and development of industrial plants and processes related to
industrial activity (IAF 34)

	Per l'Organismo di Certificazione For the Certification Body TÜV Italia S.r.l.	Validità / Validity
		Dal / From: 2013-07-17
		Al / To: 2016-07-16
ISO 9001:2008 BS 9001:2005 PRD N° 0818 SGA N° 0102 IFA N° 0011 IAF N° 0016 SCA N° 0001 PRESENTE LAB N° 0016	 Paolo Merenda Director, Division Management Service	Data emissione / Printing Date 2013-07-17

LA VALIDITÀ DEL PRESENTE CERTIFICATO È SUBORDINATA A SOVRIGILANZA PERIODICA A 12 MESI E AL RISERVA COMPLETO DEL SISTEMA DI GESTIONE ADIBITALE CON PERIODICITÀ TRIENNALE

THE VALIDITY OF THE PRESENT CERTIFICATE DEPENDS ON THE ANNUAL SURVEILLANCE EVERY 12 MONTHS AND ON THE COMPLETE REVIEW OF COMPANY'S MANAGEMENT SYSTEM AFTER THREE-YEARS

TÜV Italia S.r.l. • Gruppo TÜV SÜD • Via Carducci 125, Pal. 23 • 20098 Sesto San Giovanni (MI) • Italia • www.tuv.it TÜV®

IPS is ISO certified in accordance with standard UNI EN 9001-2008.

Copyright® IPS Engineering Srl 2014. All right reserved. No part of this publication may be reproduced, stored in a retrieval system, or transmitted in any form or by any means, electronic, mechanical, photocopying recording or otherwise, without the prior permission of the copyright owner.

IPS Engineering

IPS ENGINEERING S.R.L.
Via Piranesi, 26
20137 Milano
Italy

P.IVA/C.F. 06900670966

fax. +39 02 362 156 74
e-mail. info@ips-engineering.it

www.ips-engineering.it